

Osby Parca EL 500 Eco

– A new generation of electric boilers 204-504 kW

The Professional's Choice Since 1935

Electric boilers with modern equipment

Now we have improved our electric boilers and at the same time merged models EL 360 and EL 500 Eco. The boiler is easier to install and the safety equipment has been modernized, including a new pressure transmitter.

Functions

The control system's touchscreen is clear and user-friendly. The customer is no longer dependent on the manual to the same extent. It also allows individual functions to be monitored according to each customer's needs.

The overview of the boiler's parameters is convenient and easy to understand. For example, it is possible to view boiler output in addition to temperature.

Connecting to external equipment, such as integration/control from a heat pump, is simple.

For outdoor temperature compensation one only need a separate outdoor temperature sensor.

All parameters are accessible via Modbus.

Two models available

The Eco series comes equipped with circuit breakers as standard.

We also offer a model with built-in safety equipment, which is an economical option for compliance with SS-EN 12828.

The safety circuit can also be expanded with up to two manually resettable external guards, such as an additional emergency stop.

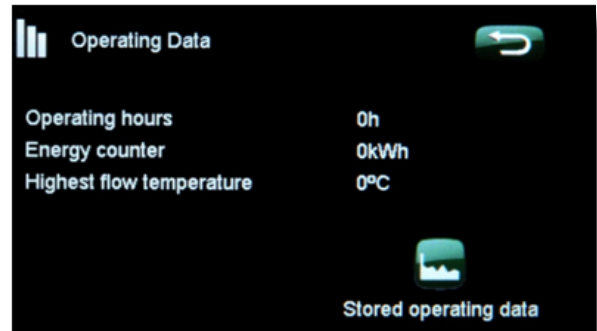
The control system's relay card is out-fitted with LEDs both on the inputs and outputs in order to visually display which is activated.





Osby Parca Electric Boilers Eco

Smart electric boilers 36-504 kW



Eco series touchscreens (example)

- ✓ Reliable and affordable
- ✓ Embedded **TOUCHSCREEN**
- ✓ Operating history and alarm with **TROUBLESHOOTING TEXT**
- ✓ Backup via USB
- ✓ **CIRCUIT BREAKER** as standard
- ✓ Automatic **RESTART** in case of power failure
- ✓ Ample space for electrical connections and control signals
- ✓ Eco represents 100 % **SWEDISH QUALITY** and low maintenance costs
- ✓ **INTEGRATED INTERNET MODULE** makes communication via Modbus possible
- ✓ Alerts via **BMS SYSTEM** or relay output
- ✓ Tariff control
- ✓ Simple output limitation in % (the system calculates the number of stages automatically)
- ✓ Electric boilers with built-in safety equipment are an affordable alternative for compliance with **SS-EN 12828**



Osby Parca Electric Boilers Eco

Smart electric boilers 36-504 kW



Electric boilers with touchscreens and built-in safety equipment.

Osby Parca provides reputable electric boilers, complete with built-in safety equipment. A very reliable and convenient solution which is approved by a notified body. The electric boilers are often installed in combination with other heat sources, such as heat pumps and solid fuel boilers.

All of our electric boilers are equipped with a touchscreen as standard. The equipment provides ample installation possibilities for optimising operation, which allows for more reliable and economical use of the boiler.

The boilers are built around a pressure vessel with top-mounted immersion heaters and easily accessible connections for water supply and return lines, as well as drainage. The electrical equipment is installed behind a lockable hatch on the front of the boiler.

Common areas of use include radiator water heating in various types of facilities, and heating of process water in industrial environments.

Benefits of Osby Parca's electric boilers:

- Can be supplied with complete, built-in safety equipment.
- After a power outage that lasts for more than three minutes, boiler output connection is delayed for one hour in accordance with SEF's recommendations.
- Boiler output connection is regulated in stages (the number of stages can be limited to achieve lower power).
- The system's main fuse can be protected by installing current transformers and current sensors.
- The water temperature of the boiler can be regulated according to the preferred temperature (set point) or an external signal from e.g. a heat pump or outdoor sensor.
- Equipped with an overheat protection.
- Several boilers can be connected in parallel for a higher total output.
- Approved for zero flow.

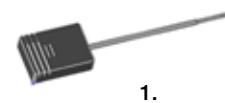
Equipment Built-in safety system

Output	Designation	Connection	Opening pressure	Qty
204 - 504 kW	Safety valve	DN 25/32	6 bar	1
	Pressure transmitter	DN 15		1
	Overheating protection/ Max. thermosta ^t			1

Accessories Eco-series electric boilers

Art. No.	Image	Designation
584196401	1	Outdoor temperature sensor incl. 15 m cable
1118404-01	2	3 current sensors for secondary measurement, max. 5A. Excl. current transformer
3364-3065	3	Cable flange FL21 1x16-300 mm ²
3364-3066	4	Cable flange FL 21 2x16-300 mm ²
6000-0501		Pipe system EL 500 Eco accessory 1 MW

Accessories:



1.



2.

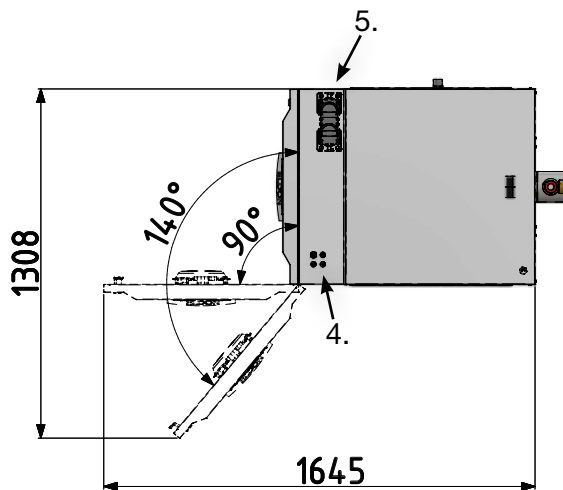
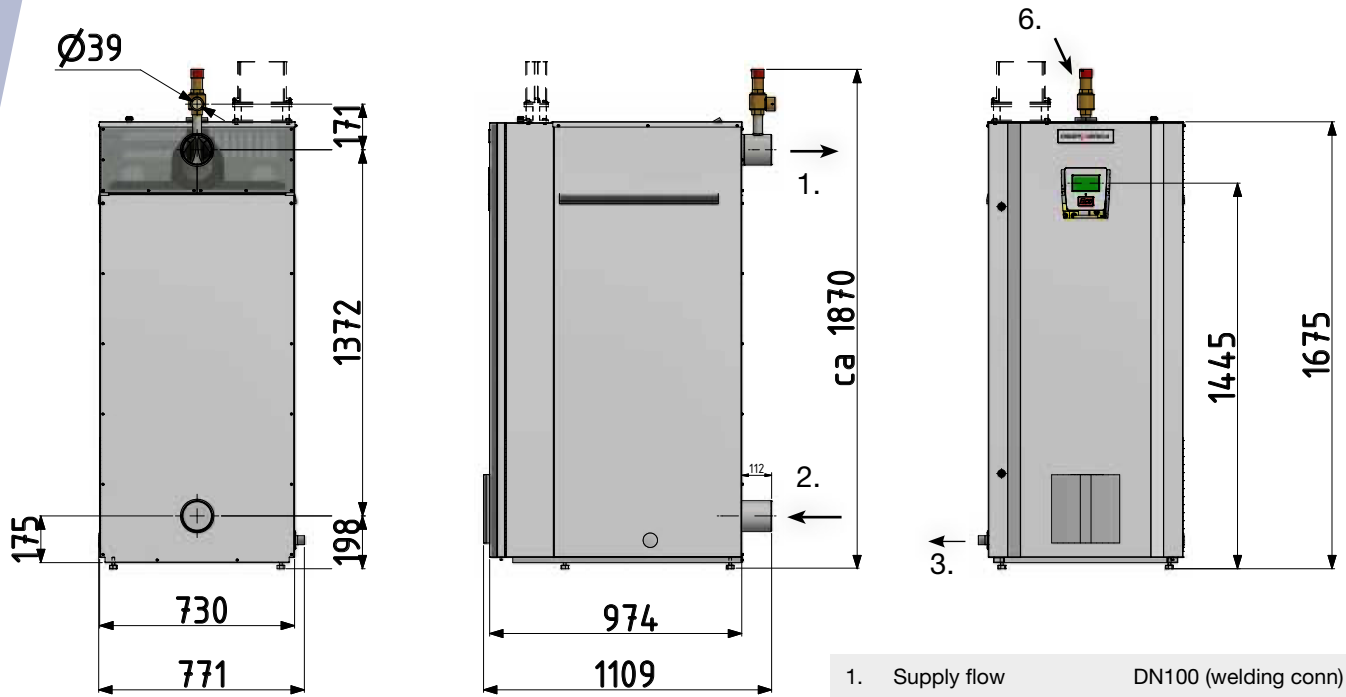


3.



4.

Dimensions & Connections EL 500 Eco S



1. Supply flow DN100 (welding conn)
2. Return flow DN100 (welding conn)
3. Drainage R1" ext.
4. Connection slot 4 x PG11
5. Flange opening 2 pc. FL-21
6. Safety valve 6 bar DN 25/32 (Only in S)

Minimum distance of 900 mm between boiler top and inner ceiling.

Separate power supply 230 V 1 ~ required for operating voltage.

Pipe connections do not have the same location as previous Parca EL 350/500.

Design data - EL 500 Eco

Design pressure	6.0 bar
Testing pressure	8,6 bar
Design temperature	110 °C
Maximum operating temperature	100 °C
Boiler water volume	372 litres
Protection class	IP21
Cable connection	2 x 240 mm ²

Technical data - EL 500 Eco

Art. No.		Output	First step	Step	Voltage	Current	Weight (excl. water)	
Std	S	kW	kW	Qty	V	A	kg	
7700151	-01	-31	204	15	15	400 V	310	380
7700151	-02	-32	252	21	12	400 V	382	380
7700151	-03	-33	315	21	15	400 V	477	390
7700151	-04	-34	378	21	18	400 V	573	400
7700151	-05	-35	441	21	21	400 V	668	405
7700151	-06	-36	504	21	24	400 V	763	410